



J.G. PAPAILIAS CO., INC.

245 Pegasus Avenue, Northvale, NJ 07647

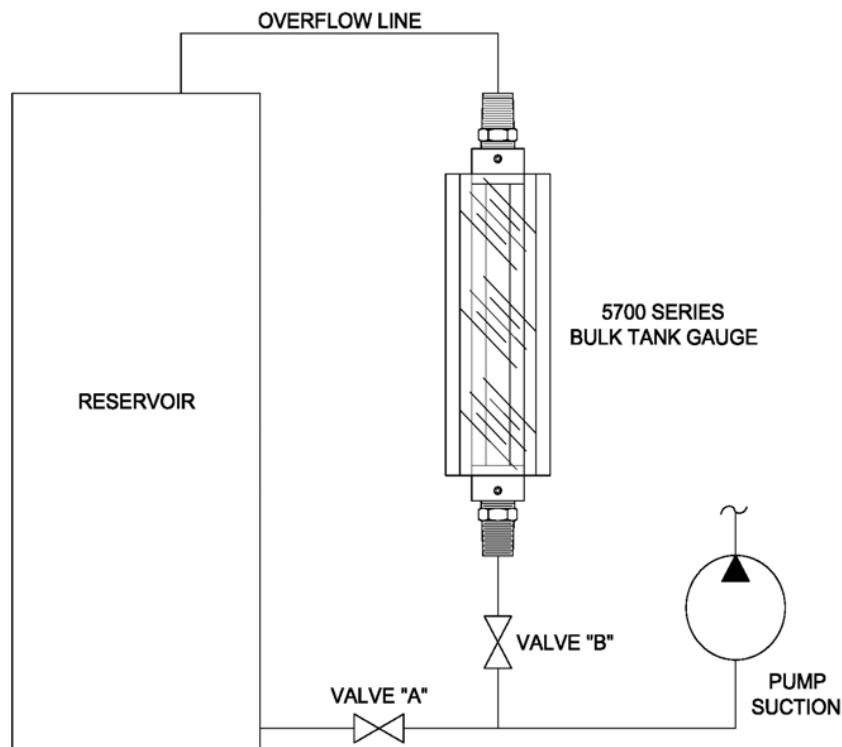
201-767-4027 F.201-767-7870

www.papailias.com

MODEL LG1-T BULK TANK GAUGE INSTALLATION AND OPERATING INSTRUCTIONS

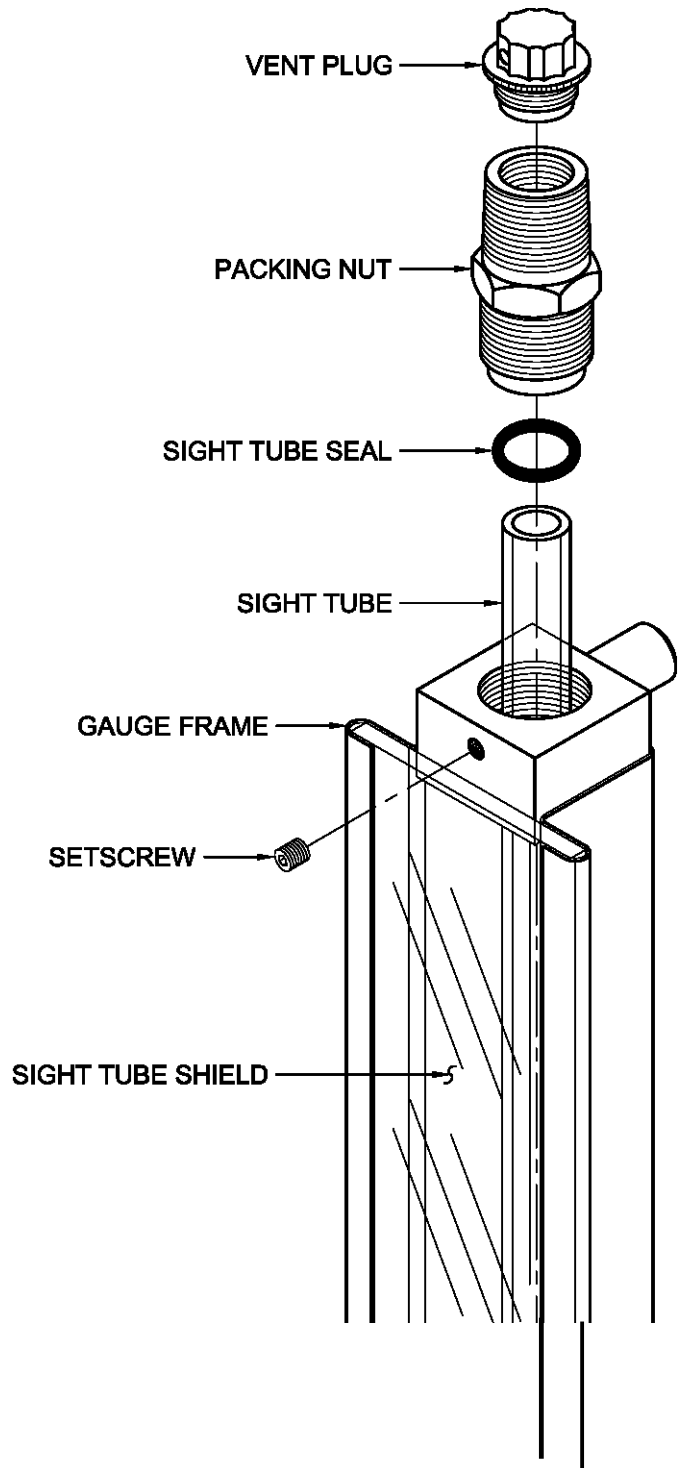
Mount the LG1-T bulk tank gauge in the outlet between the storage tank and the suction side of a chemical pump (if applicable). When making up gauge to process lines, tighten connections by placing the wrench on the hex of the nipple at the end of the gauge. Do not tighten connections by twisting gauge frame. If the top of the gauge is below the maximum possible liquid level or if there is a possibility of pressure or vacuum in the storage tank (other than atmospheric pressure), the vent connection on top of the LG1-T should be connected to the upper part of the storage tank. A valve should be installed between the storage tank and the LG1-T.

To check the pump feed rate, close the valve between the storage tank and the LG1-T. Observe the change in fluid height in the LG1-T after 1 minute. Multiply the number of divisions observed by the rate per division to obtain the pumping rate. Adjust pump and check rate again if necessary.



SIGHT TUBE INSTALLATION INSTRUCTIONS FOR **J.G. PAPAILIAS CO SERIES LG1-T**

- ENSURE THAT GAUGE IS DRAINED AND RELIEVED OF ANY PRESSURE.
- REMOVE LEVEL GAUGE FROM TANK USING A WRENCH ON HEXAGON FLATS OF PACKING NUTS. DO NOT TWIST OFF USING GAUGE FRAME.
- REMOVE SIGHT TUBE SHIELD FROM GAUGE FRAME BY SLIDING OUT TOP.
- LOOSEN HEXAGON SOCKET SETSCREW ON FRONT FACE OF UPPER AND LOWER END BLOCKS.
- REMOVE PACKING NUTS FROM EACH END OF GAUGE.
- CAREFULLY REMOVE SIGHT TUBE AND SEALS.
- SLIDE REPLACEMENT SIGHT TUBE INTO GAUGE FRAME ASSEMBLY.
- INSTALL SIGHT TUBE SEAL ON EACH END OF SIGHT TUBE.
- MAKE SURE SIGHT TUBE EXTENDS EQUAL DISTANCE FROM EACH END OF GAUGE FRAME.
- INSTALL PACKING NUTS AND TIGHTEN TO 20-25 FT. LBS. OF TORQUE.
- TIGHTEN HEXAGON SOCKET SETSCREWS.
- SLIDE SIGHT TUBE SHIELD BACK INTO GAUGE FRAME FROM TOP UNTIL TOP EDGE OF SIGHT TUBE SHIELD IS FLUSH WITH TOP EDGE OF GAUGE FRAME.
- INSTALL GAUGE BACK ONTO TANK USING A WRENCH ON HEXAGON FLATS OF PACKING NUTS. DO NOT TWIST ON USING GAUGE FRAME.
- REINTRODUCE LIQUID BACK INTO GAUGE AND CHECK FOR LEAKS.



J.G. PAPAILIAS CO., INC.
245 Pegasus Avenue, Northvale, NJ 07647
201-767-4027 F.201-767-7870
www.papailias.com